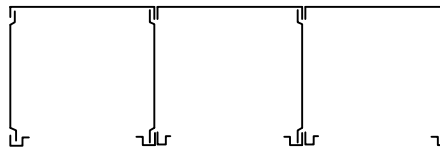


MAXIMUM NUMBER OF LOCKER FRAMES TO BE ASSEMBLED IN A GROUP

LOCKER WIDTH	9'	12'	15'	18'	24'
SINGLE ROW GROUP	6	6	5	4	3

ASSEMBLY OF SINGLE ROW LOCKERS

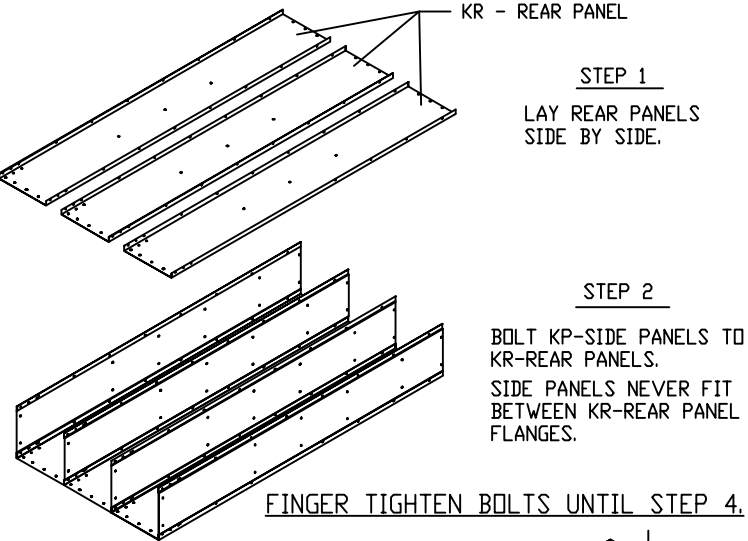


SINGLE TIER EXAMPLE - 3 WIDE UNIT PLAN VIEW

SIDE PANELS MUST GO INSIDE REAR PANEL AND INSIDE FRAME.

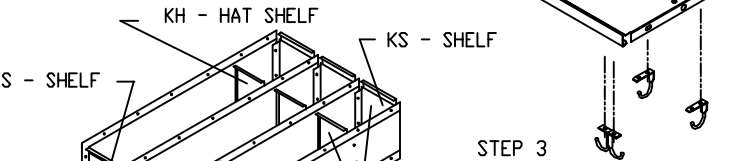
SOLID END PANEL (KMP)

SOLID END PANEL (KMP)

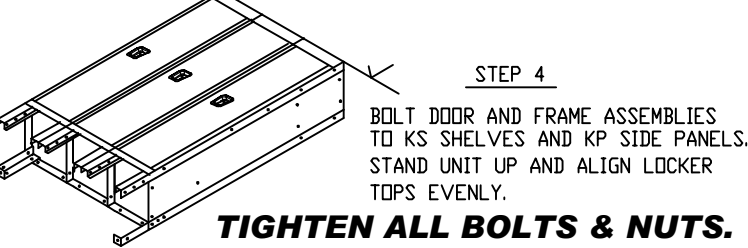


FINGER TIGHTEN BOLTS UNTIL STEP 4.

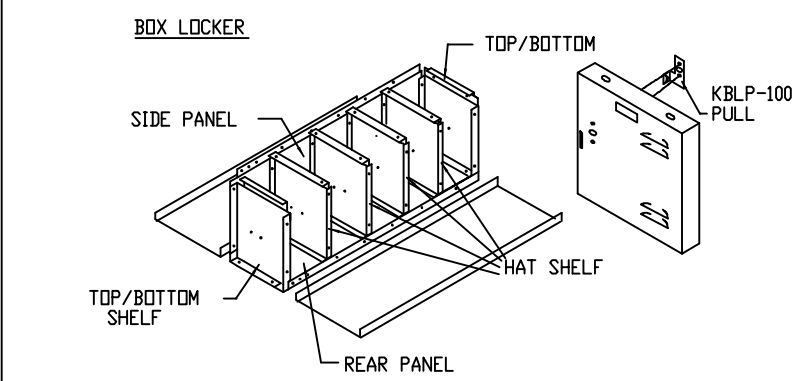
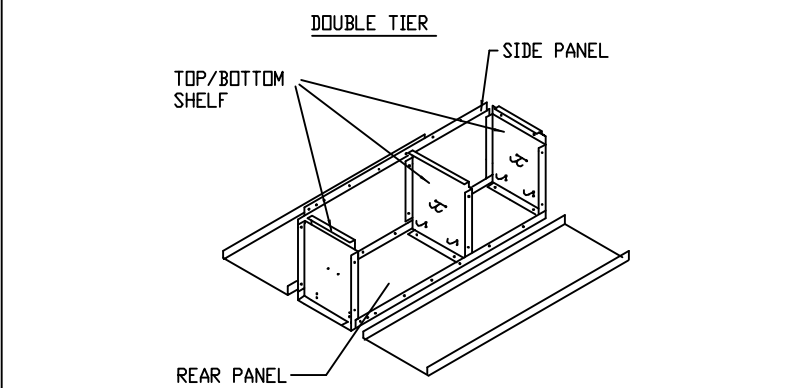
SIDE HOLES FOR OPTIONAL ADDITIONAL HOOKS.



FINGER TIGHTEN BOLTS UNTIL STEP 4.

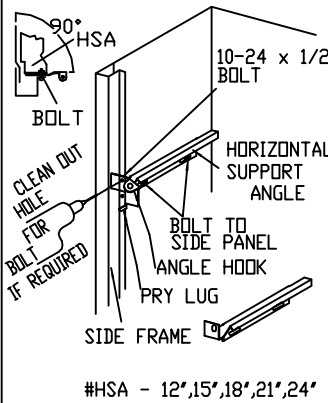


NOTE: WHEN BOLTING ONE UNIT TO ANOTHER, OMIT ONE SET OF BOLTS IN END FRAME AND SIDE TO MINIMIZE GROWTH FROM BOLT HEADS.



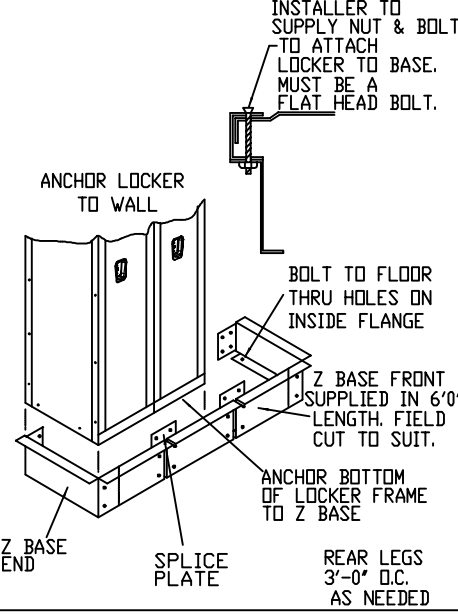
HSA BRACKET FOR MAGNUM STUDENT LOCKERS

NOTE: SEE SA-0214A
ANGLE HOOK AND SIDE FRAME TO BE THRU BOLTED TO HORIZONTAL SUPPORT ANGLE TO BE USED ON SINGLE TIER AND DOUBLE TIER LOCKERS 60" AND 72" WHEN BUILT-IN-LOCKS ARE USED.



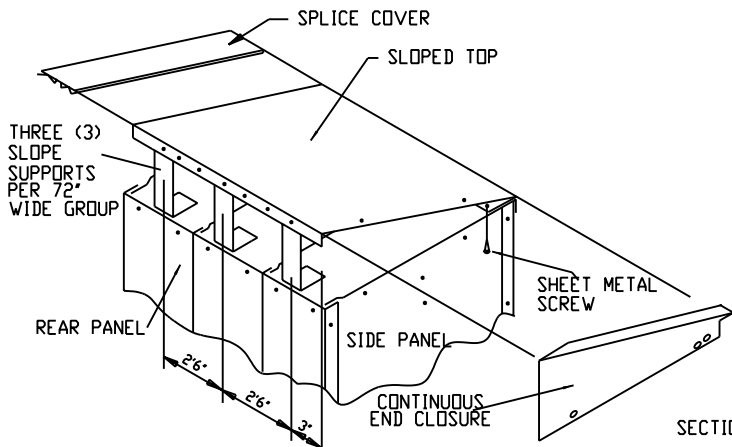
#HSA - 12', 15', 18', 21', 24'

Z BASE



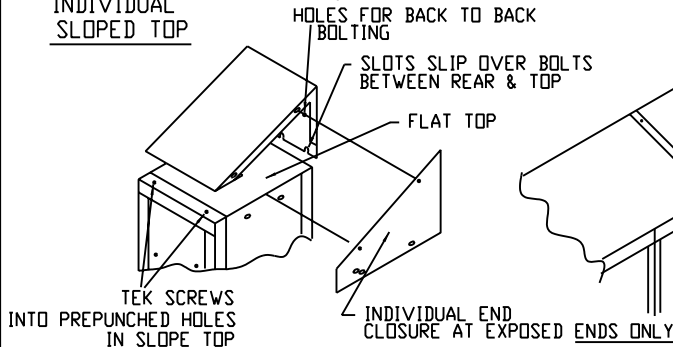
K. D. LOCKER INSTALLATION DETAILS

CONTINUOUS SLOPED TOP

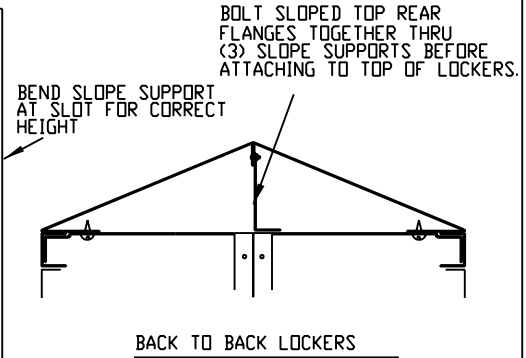
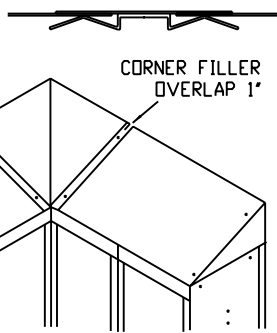


1. LEVEL AND BOLT LOCKERS TOGETHER BEFORE ATTEMPTING TO INSTALL SLOPED TOPS.
2. BOLT REAR FLANGE OF TOP TO (3) THREE SLOPE SUPPORTS AS SHOWN. (BACK TO BACK LOCKERS BOLT REAR FLANGE OF BOTH TOPS)
3. ATTACH END CLOSURE FOR CONCEALED CONDITION ONLY USING (2) TEK SCREWS THRU SLOPE TOP.
4. SLIP SPLICE COVER ONTO END(S) TO BE JOINED. PUT WHOLE ASSEMBLY ONTO TOP OF LOCKERS AND ALIGN.
5. DO THE SAME WITH THE NEXT SECTION OF SLOPED TOP AND SLIP INTO THE SPLICE COVER OF THE SECTION ALREADY FASTENED.
6. CUT LAST SECTION TO REQUIRED LENGTH AND SLIP CUT EDGE INTO THE LAST ATTACHED SPLICE COVER. THEN ATTACH SLOPE TOP TO END CLOSURE USING TEK SCREWS.
7. FASTEN THE FRONT FLANGE THROUGH THE HOLE IN THE FLAT TOP. (3) TEK SCREWS PER SLOPE TOP.
8. WHEN ALL FRONT FLANGES ARE FASTENED, ALIGN EXPOSED SLOPE END CLOSURES. FIRST FASTEN TO THE LOCKER, THEN DOWN THROUGH SLOPE TOP.

INDIVIDUAL SLOPED TOP

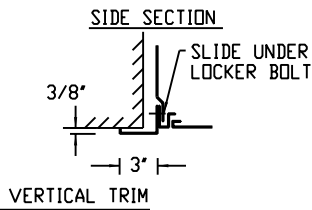


SECTION THRU SPLICE COVER



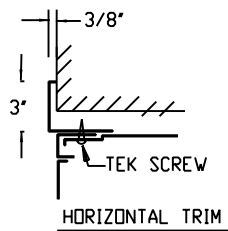
BACK TO BACK LOCKERS

RECESS TRIM

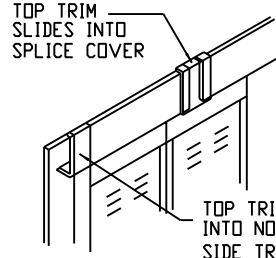


VERTICAL TRIM

TOP SECTION

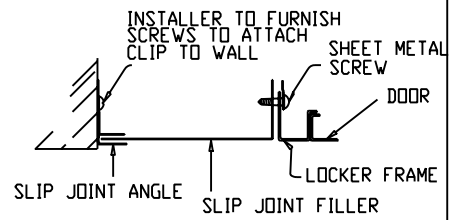


HORIZONTAL TRIM



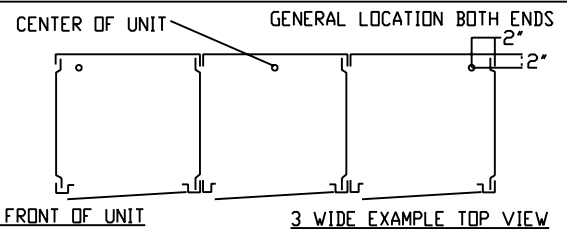
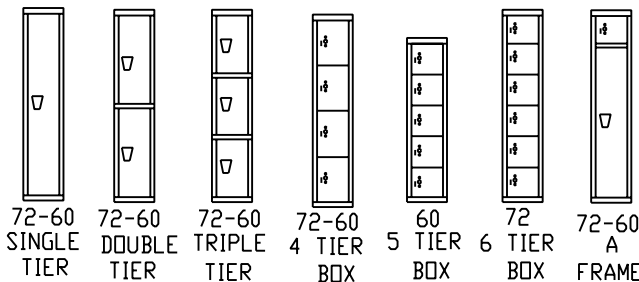
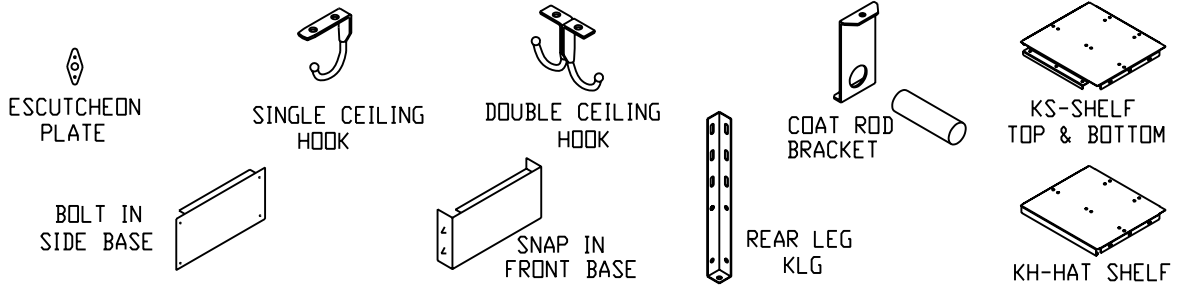
TOP TRIM SLIDES INTO NOTCH IN SIDE TRIM

SLIP JOINT



RECOMMENDED TOOLS:

- SABER SAW
- ELECTRIC 3/8" DRILL
- ELECTRIC SCREW GUN W/ ADJUSTABLE TORQUE
- #2 AND #3 PHILLIPS BITS
- 5/16", 3/8" AND 7/16" HEX DRIVES
- "C" CLAMPS
- VICE GRIPS
- ASSORTED CEDAR SHIMS
- 3/8" NUT DRIVER
- WONDER BAR
- RIVET GUN
- HAMMER DRILL



IN THE INTEREST OF SAFETY, ALL KD LOCKERS MUST BE SECURELY ANCHORED TO THE FLOOR AND WALL.



401 Jim Moran Blvd., PO Box 4157, Deerfield Beach, FL 33442
Tel (954) 429-9662 Fax (954) 428-3843

K. D. LOCKER INSTALLATION DETAILS

DRWG NO. SB-0283-2