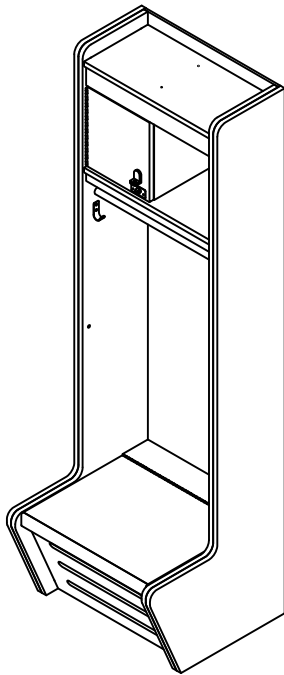
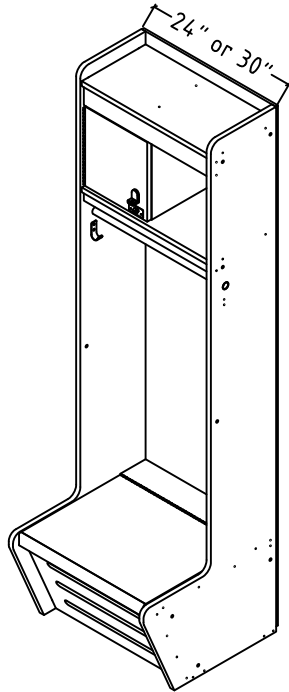


# RECRUITER 2 QUICK-SHIP SETBACK WOOD SPORT LOCKER INSTALLATION INSTRUCTIONS



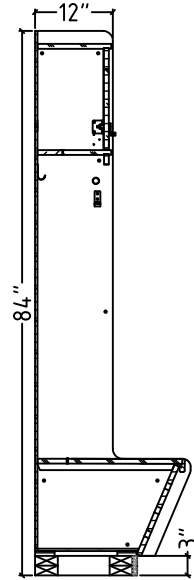
STARTER LOCKER

Includes 2 Finished End Panels (1 Left/1 Right)



ADDER LOCKER

Outer sides Unfinished



SIDE SECTION VIEW

## General Instructions

1. Check material received against the packing list. First check the number of packages received and then check the contents of each package.
2. Check material received for damage. If damage has occurred, secure a "damage notation" from the carrier.

## CAUTION

IN THE INTEREST OF SAFETY, ALL LOCKERS MUST BE SECURELY ANCHORED TO THE FLOOR AND/OR WALL.  
FOR SAFETY, HANDLE ALL COMPONENTS CAREFULLY AND WEAR WORK-GLOVES WHEN INSTALLING LOCKERS.  
INSTALL ALL UNITS LEVEL AND PLUMB, AND TIGHTEN ALL HARDWARE SECURELY.  
RETAIN INSTRUCTIONS FOR FUTURE REFERENCE.

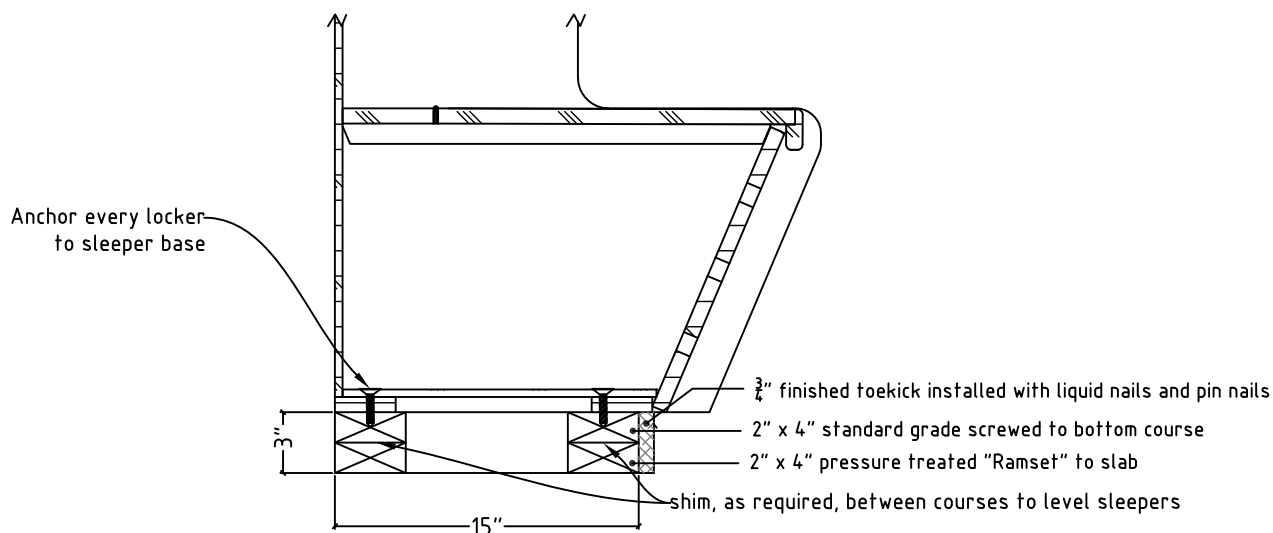


401 Jim Moran Blvd., P.O. Box 4157 Phone (954) 429-9662  
Deerfield Beach, FL 33442 Fax (954) 428-3843

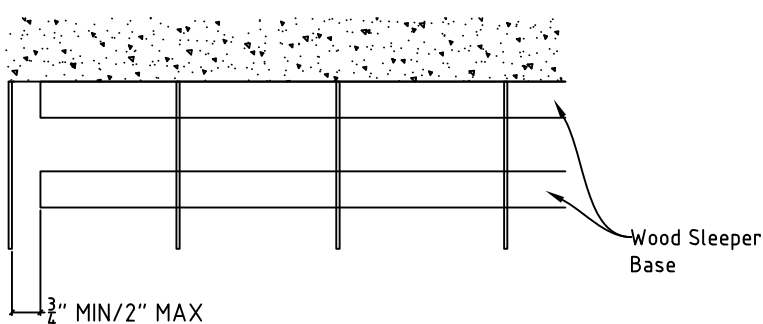
[www.ListIndustries.com](http://www.ListIndustries.com)

# RECRUITER 2 QUICK-SHIP SETBACK WOOD SPORT LOCKER INSTALLATION INSTRUCTIONS

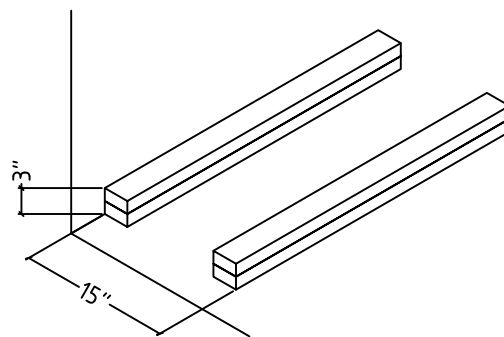
1. Install wood sleepers (by others), (see DETAIL A). Note that a level sleeper base is critical for a quality locker installation. Pressure treated 2" x 4" at floor. Standard 2" x 4" at second level.
2. If applicable, install finished end panel prior to placing first locker.
3. Shim as required.
4. Fasten each adjacent locker using joint connector bolt and nut at locations shown in DETAIL B. End panels use same locations for fastening.
5. Attach lockers to wall (inside every second security box to conceal fastener) and sleeper base. Anchor every locker to sleeper base using furnished screws.



DETAIL A: Sleeper Layout (Section View)



Top View



Sleeper Base Detail

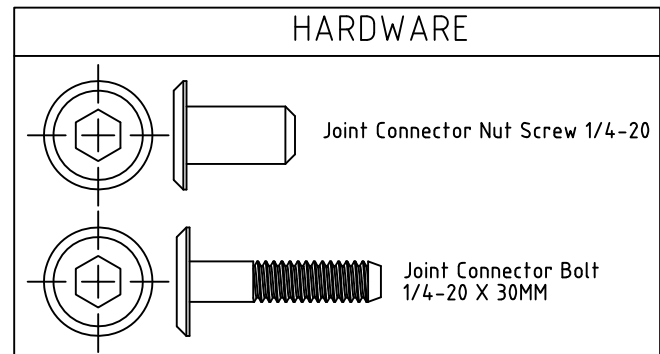
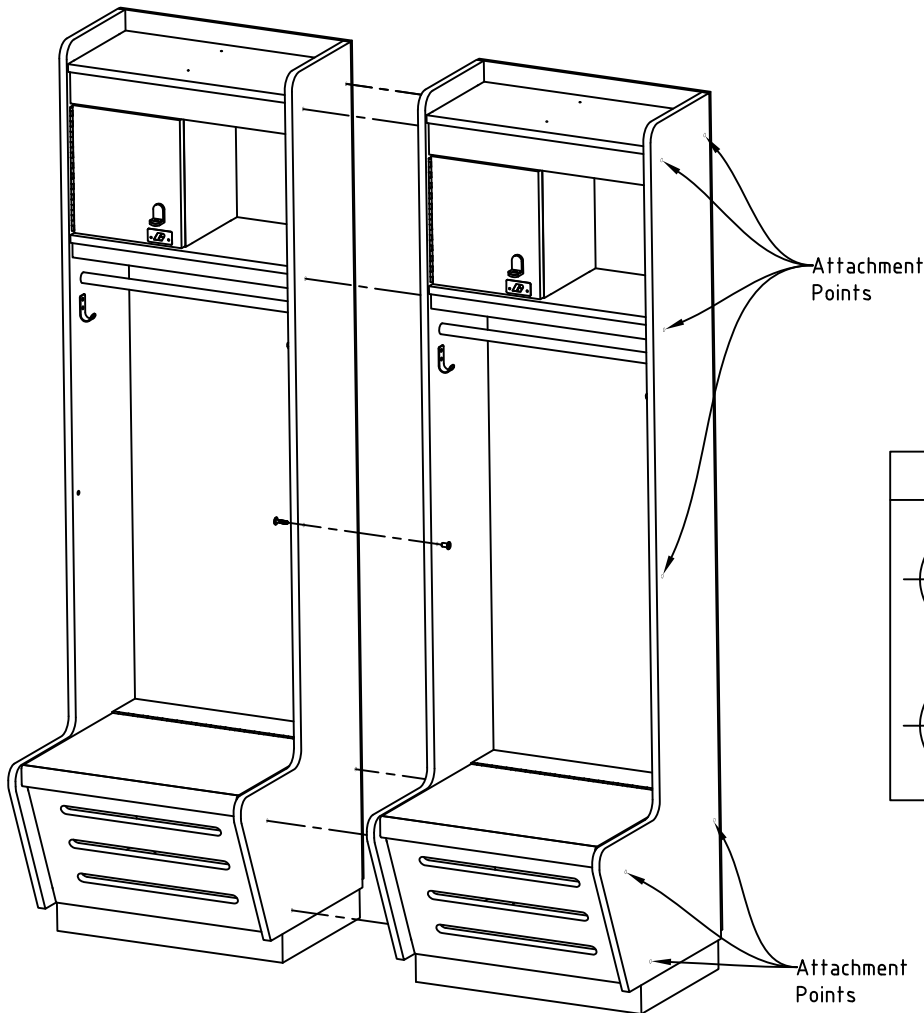


401 Jim Moran Blvd., P.O. Box 4157  
Deerfield Beach, FL 33442

Phone (954) 429-9662  
Fax (954) 428-3843

[www.ListIndustries.com](http://www.ListIndustries.com)

# RECRUITER 2 QUICK-SHIP SETBACK WOOD SPORT LOCKER INSTALLATION INSTRUCTIONS



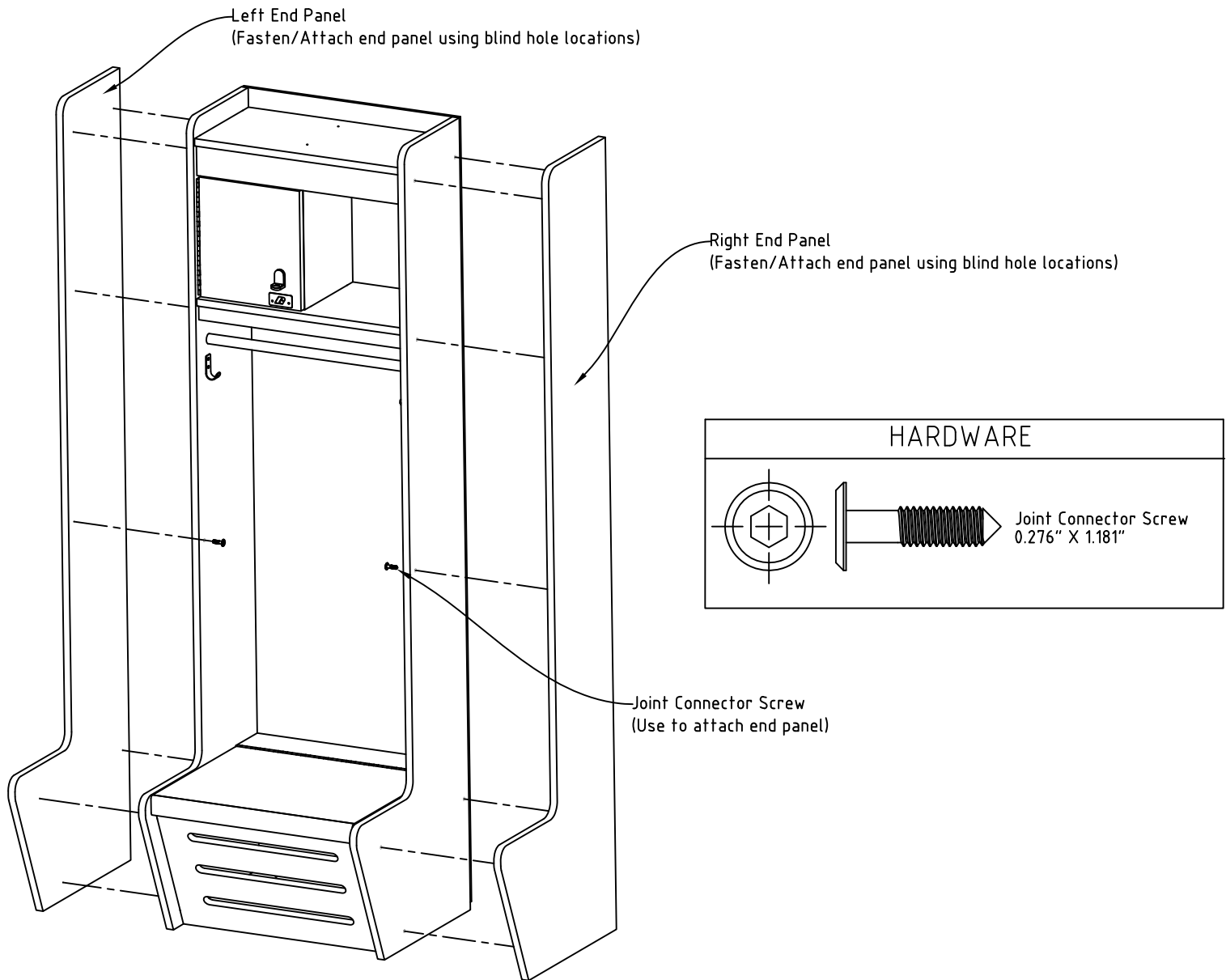
DETAIL B: Adjacent Locker Attachment Points  
Ensure front of lockers are flush before tightening



401 Jim Moran Blvd., P.O. Box 4157      Phone (954) 429-9662  
Deerfield Beach, FL 33442              Fax (954) 428-3843

[www.ListIndustries.com](http://www.ListIndustries.com)

# RECRUITER 2 END PANEL INSTALLATION INSTRUCTIONS



FINISHED END PANELS  
For exposed ends only

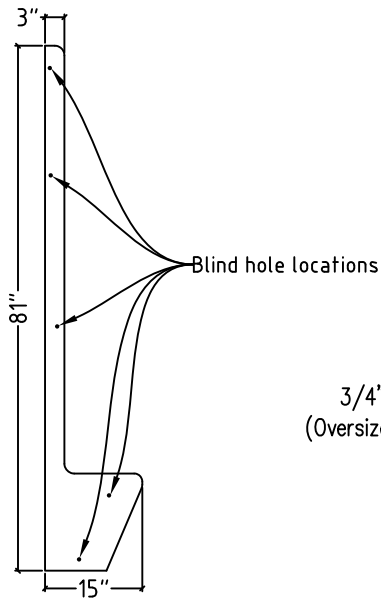


401 Jim Moran Blvd., P.O. Box 4157  
Deerfield Beach, FL 33442

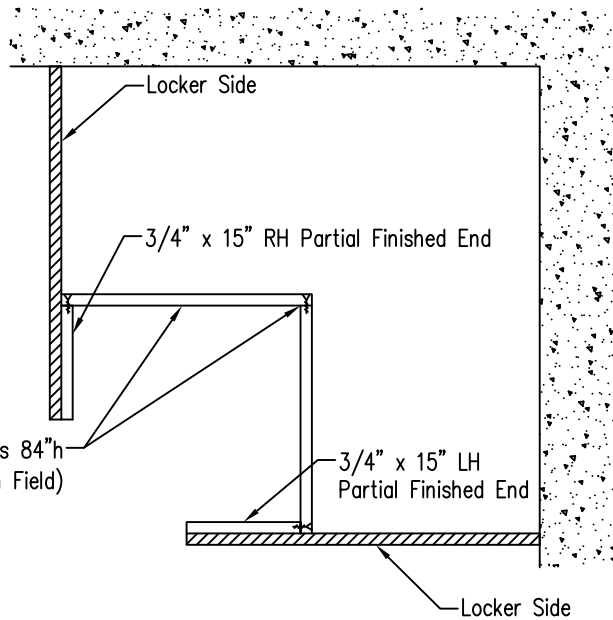
Phone (954) 429-9662  
Fax (954) 428-3843

[www.ListIndustries.com](http://www.ListIndustries.com)

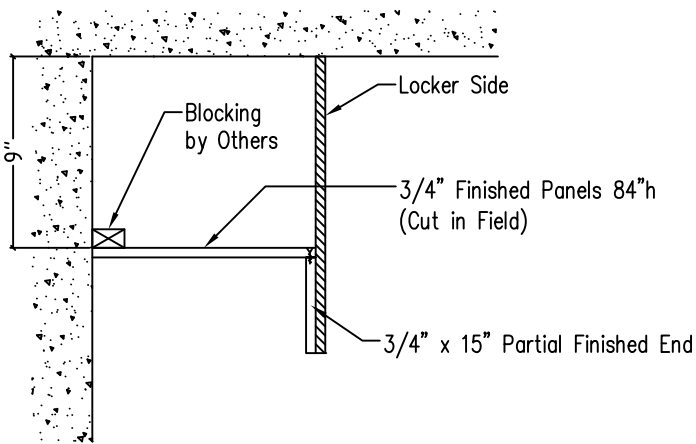
# RECRUITER II ACCESSORY INSTALLATION INSTRUCTIONS



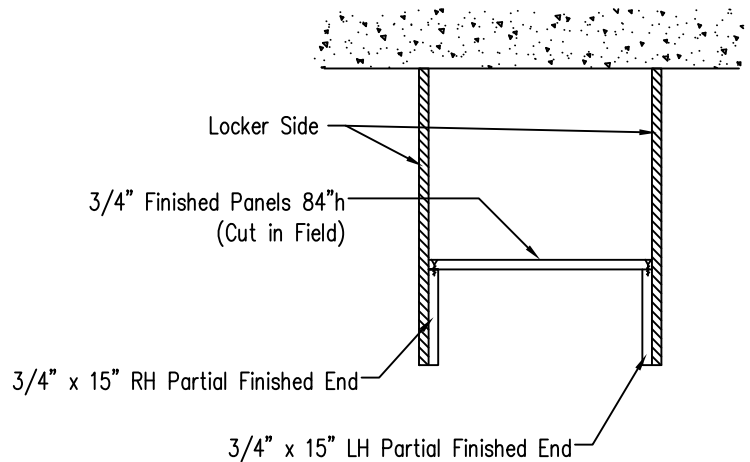
PARTIAL FINISHED END PANEL  
(Used only on Corner Fillers and Front Fillers)



CORNER FILLER DETAIL



FRONT END FILLER DETAIL  
(LH Shown)



FRONT INTERMEDIATE FILLER DETAIL



401 Jim Moran Blvd., P.O. Box 4157      Phone (954) 429-9662  
Deerfield Beach, FL 33442              Fax (954) 428-3843

[www.ListIndustries.com](http://www.ListIndustries.com)